

# JVC

## Mobile Bridge ProHD Wireless IP Solution

# BRIDGE



## ProHD

### Key Features

- ✓ Supports Zixi enabled JVC cameras
- ✓ Multiple cameras per single uplink unit
- ✓ High mobility – *no backpack, camera only*
- ✓ Multiple decoders @ different locations
- ✓ High-gain antennas – better upload speeds
- ✓ Full information in the EVF – 100% feedback
- ✓ VPN connection to station or internet
- ✓ Affordable cost

### Cellular Bridge Roof-top System



*The roof-top cellular connection is far superior to that found in camera or backpack mounted cellular modems*

*The all new ProHD Wireless Bridge is the ideal IP solution for covering news, sports and virtually any live broadcast event where camera mobility and high reliability are paramount!*

## The ProHD Bridge Solution

Your vehicle becomes a remote broadcasting hub able to receive signals from one or more field cameras and relay them to your broadcast facility through an advanced access point and cellular uplink.



# ProHD Bridge — a mobile IP broadcast solution

## Encoding Built Into Your Cameras

Whether you're streaming from one camera or several, the Bridge delivers perfectly encoded HD content with low latency and reliability that meets or exceeds the performance of typical bonded solutions. JVC believes that remote broadcasting begins in the camera. That's why we've designed our cameras with built-in encoders that feature the highly regarded Zixi error correction, automatic repeat request, and variable bit rate control. And, with the encoder built-in, the camera operator gets viewfinder status indications of the remote connection and outgoing stream quality. Built-in 2 channel IFB communication is possible with some camera models.

In a Bridge system, JVC 800 series cameras utilize the long range WB-MCA100 Mobile Camera Adapter which attaches directly to and is powered from the camera. The camera adapter features a powerful 5GHz transceiver that operates up to 2,000 feet from the mobile base station. It plugs directly into the host USB connector on the camera for plug and play operation. And, because the Mobile Camera Adapter is so compact and affordable, you can install one on each of your field cameras so that they're ready for remote shooting at any time. Handheld JVC cameras can also take advantage of the Bridge with a smaller radio module with a 400 foot range.

\*GY-HM890 pictured with Mobile Bridge camera adapter (WB-MCA100)



## ProHD Mobile Bridge

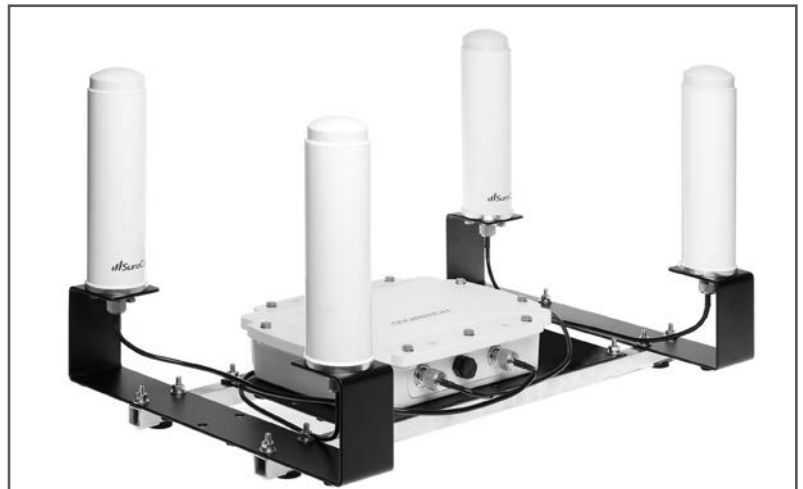


## Dual Carrier Roof-top Cellular Uplink

*Multiple cameras, high mobility, multiple decoders at different locations, better upload speeds, data connection, affordable*

After thorough testing, JVC's engineers have determined that the roof-top cellular connection is far superior to that found in portable bonded systems. In a ProHD Wireless Bridge system, your vehicle becomes the remote broadcasting hub, receiving signals from one or more field cameras and relaying them to your broadcast facility through an advanced access point and cellular uplink. JVC has designed a high-performance array of 4 diversity high-gain cellular antennas connected to a cellular uplink that aggregates signals from 2 mobile carriers. The WB-CELL200 Cellular Uplink creates a virtual private network (VPN) letting you not only securely transmit camera signals, but also providing a high speed mobile hotspot that can be used by your field staff to access newsroom systems, submit stories, upload files, etc.

A separate antenna and mobile access point (WB-MAP100) receive the 5GHz signal from the cameras and other network devices and deliver them to the cellular uplink. All of the electronics and antennas are securely mounted to the roof assembly and are IP67 (moisture) rated and designed for harsh mobile environments. Installation is a snap. Only 12V power is needed.



ProHD Bridge Roof-top Uplink (WB-CELL200)

## VPN Router Handles up to 20 cellular uplinks

In your facility, the BPL-380 router aggregates up to 20 cellular uplinks. This means that you can equip all of the vehicles in your fleet with ProHD Bridge systems, and point them all to a single IP address in your facility. Combined with the BR-800 ProHD Broadcaster and BR-DE800 ProHD Decoder you'll have the most convenient, affordable and reliable wide-deployment mobile back haul system available!



Wireless Bridge VPN Router Front Panel Configuration (BPL-380)

## ProHD Bridge Specifications

WB-MAP100	Wireless standards	802.11a/n/ac
	Operating Frequency*	5.1 - 5.8 GHz* <i>* BAS frequency radios are available</i>
	Antenna Gain	10 db
	Antenna Type	Dual Polarity, Omni-directional
	Operating Voltage	8-30 V (Passive PoE)
	Power consumption	23 W
	Operating Temperature	-40 - 150F
WB-MCA100	Wireless standards	802.11a/n
	Operating Frequency*	5.1 - 5.8 GHz* <i>* BAS frequency radios are available</i>
	Antenna Gain	6 db
	Antenna Type	V-Pol, Omni-directional
	Operating Voltage	8-30 V (D-Tap)
	Power consumption	11 W
	Operating Temperature	-40 - 150F
WB-CELL200	Cellular Carriers**	Verizon + T-Mobile
	Antenna Gain	3-5 db x 4
	Antenna Type	Omni-directional, Diversity x 4
	Operating Voltage	8-30 V
	Power consumption	25 W
	Operating Temperature	-40 - 150F
	<b>** Compatible with AT&amp;T, Sprint, Verizon and T-Mobile</b>	

**Notes:**

- All pictures in this brochure are simulated.
- All product and company names mentioned are trademarks or registered trademarks of their respective owners.
- All values for weights and dimensions are approximate.
- Specifications are subject to change.

# JVCKENWOOD

JVCKENWOOD USA Corporation  
 1700 Valley Road  
 Wayne, NJ 07470  
 pro.jvc.com